

How to Modify a standard Warré floor

This simple modification will adapt your standard Warré floor into one which will allow you to a) **monitor your Varroa mite drop** and b) **feed your bees** with syrup/fondant without the need to take off the bee boxes.

Materials required:

- sheet of wood 100mm x 20mm x 1.5 mts
- varroa screen 300mm x 300mm
- thin material for tray 300mm x 300mm

1 Block off old entrance

Cut and stick into place a piece of wood to fill the old entrance - shown as yellow in illustration 1.

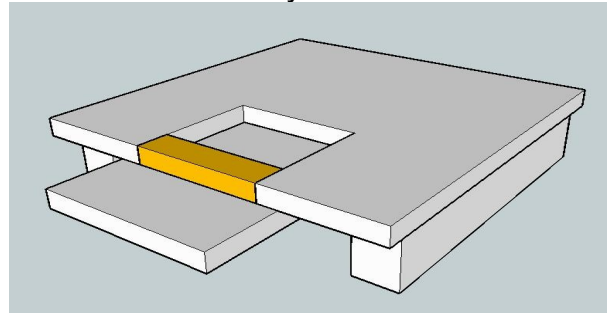


Illustration 1:

2 Add front and sides - Glue and screw 2 sides and a front - shown in blue in illustration 2

- Sides 100mm high x length of your floor minus 20mm (to accommodate rear door)
- Front 100mm high x width of floor minus 2 sides
- Cut new entrance 120mm wide x 20mm deep in centre top of front piece:

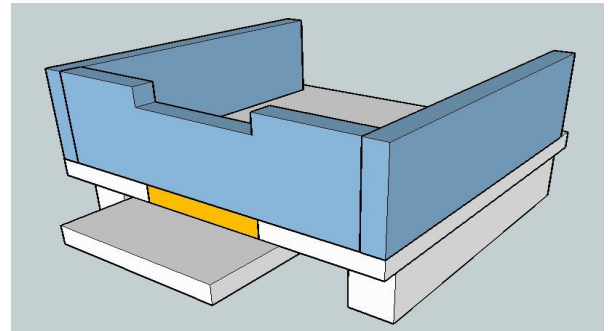


Illustration 2:

3 Add a landing board - *NB: This stage is optional as bees don't need a landing board but they do assist observation and photography.* Glue and screw a new landing board to base of new entrance hole shown in green in illustration 3. Dimensions around 160mm wide x 40mm deep:

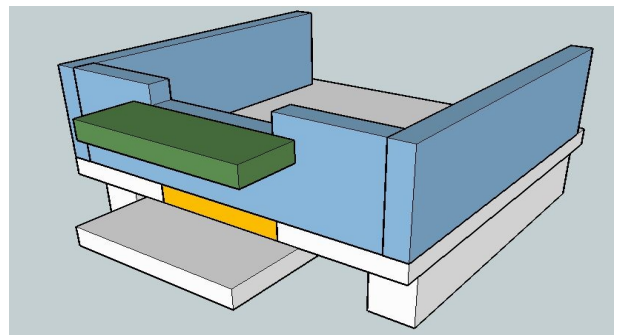


Illustration 3:

4 Add runners for varroa screen - Stick 2 strips to the inside of sides shown in pink in illustration 4. These slope from just below top of side at rear to just below level of entrance hole at front and will support your Varroa screen:

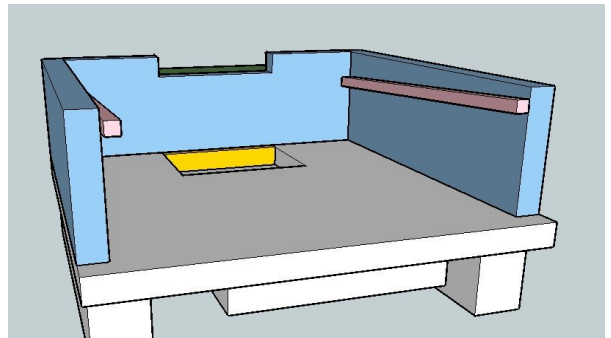


Illustration 4:

5 Add removable door - to rear, shown on red in illustration 5

- 100mm high x width of your Warré floor
- close with catches, clips or ties

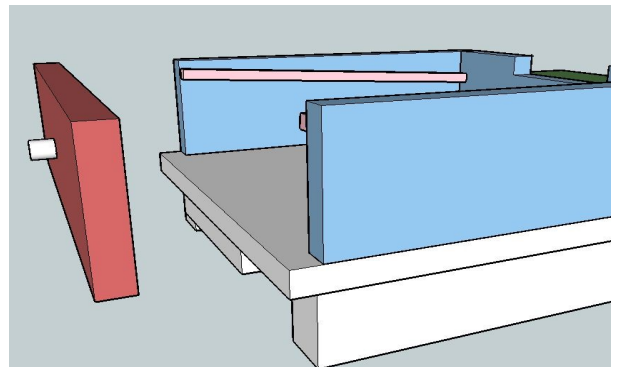


Illustration 5:

6 – Add varroa screen & mite tray - Cut a varroa monitoring screen to the size of your box and place onto (pink) side strips. Also cut a second tray made from a sheet of thin material (hardboard, plastic, etc.) and lay this on the floor – see illustration 6:

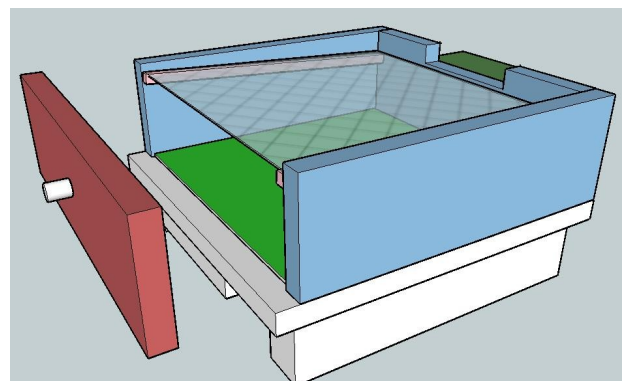


Illustration 6:

How to Use

Varroa monitoring and counting - To use for varroa monitoring open door, slide in varroa screen and varroa tray then close door. You can then access varroa tray to count your mite drop as and when required. You can also pain a sticky medium to your tray with Vaseline or vegetable oil to trap the mites.

Feeding sugar syrup/fondant – To use as a bottom feeder slide out the varroa screen then place container of sugar syrup or fondant on the bottom - you can use the varroa board to help slide it in. Please note: If you use syrup ensure that a mesh float is used to prevent the bees from drowning in the syrup.